

# Accessories / Parts

## Swivel Grease Seals

Swivel seals are designed to keep dirt and moisture out of the swivel raceway and lubricant in for easier swiveling and longer caster life.

They are recommended for equipment exposed to frequent washings or sterilization cycles in hospitals, food processing plants and bakeries. To order as factory installed swivel caster option, add "GS" to end of caster model number.



## Adjustable Equipment Legs

With almost a century of providing to the food service industry, it only makes sense that Jarvis is able to utilize its global resources in advanced manufacturing technologies to develop additional solutions for our customers. Welded mounting plates available in two sizes

- Integral hex foot
- Available in multiple finishes
- Adjustments up to 1" in length
- Engineered solutions for custom applications
- Available in 4", 6" and 8" heights



### Construction:

- 16 gauge steel tubing
- O.D. Tubing: 1-5/8" Hex Foot: 1-1/8"
- Load Capacity: 2000 lb static load

Length (Inches)	Leg Model Number	Overall Extended Height (Inches)	Top Plate Dimensions (Inches)	Bolt Hole Spacing (Inches)	Mounting Bolt Size (Inches)
4	LEG4-22	5	2-3/8 x 3-5/8	1-3/4 x 3	5/16
4	LEG4-72	5	3-1/2 x 3-1/2	2-5/8 x 2-5/8	9/32
6	LEG6-22	7	2-3/8 x 3-5/8	1-3/4 x 3	5/16
6	LEG6-72	7	3-1/2 x 3-1/2	2-5/8 x 2-5/8	9/32

## Floor Locks

Floor locks are designed to lock mobile equipment in a desired location. Often used on platform trucks, laundry carts and postal equipment, this unique locking system locks equipment in place with a simple press of the foot. Another press of the foot releases the lock for complete mobility.

Floor locks are recommended for use on level surfaces only. Non-slip rubber brake pad on bottom of floor lock holds securely on a variety of floor surfaces.



Jarvis floor locks feature a 4" x 4-1/2" top plate with slotted mounting holes for 2-5/8" x 3-5/8" or 3" x 3". Mounting bolt size: 3/8".

Wheel Diameter (Inches)	Caster Series	Overall Extended Height	Retracted Height	Model Number
4"	61, 81	5-3/4"	4-3/4"	FL4
5"	61, 81	6-5/8"	5-5/8"	FL5
6"	61, 81	7-5/8"	6-5/8"	FL6
8"	61, 81	9-5/8"	8-5/8"	FL8

## Axles

All Jarvis Axles are Grade 2.

Series	Description	Specifications	Part Number
13 - 28 SERIES	PLAIN AXLE	5/16" DIAMETER X 1-7/16" LONG	902-02
	BRAKE AXLE	5/16" DIAMETER X 1-11/16" LONG	957-02
30 - 40 SERIES / SWIVELS	PLAIN AXLE	3/8" DIAMETER X 2-1/8" LONG	927-02
	ZERK AXLE	3/8" DIAMETER X 2-1/8" LONG	928-12
	PLAIN BRAKE AXLE	3/8" DIAMETER X 2-1/4" LONG	964-02
	ZERK BRAKE AXLE	3/8" DIAMETER X 2-1/4" LONG	965-12
31 SERIES / RIGIDS	PLAIN AXLE	3/8" DIAMETER X 2-1/4" LONG	932-22
	ZERK AXLE	3/8" DIAMETER X 2-1/4" LONG	932-12
130 SERIES (3", 4", 5" WHEEL DIA.)	PLAIN AXLE	3/8" DIAMETER X 2-5/8" LONG	966-02
	ZERK AXLE	3/8" DIAMETER X 2-5/8" LONG	966-12
	PLAIN BRAKE AXLE	3/8" DIAMETER X 2-7/8" LONG	961-02
	ZERK BRAKE AXLE	3/8" DIAMETER X 2-7/8" LONG	961-12
130 SERIES (6" & 8" WHEEL DIA.)	PLAIN AXLE	1/2" DIAMETER X 2-3/4" LONG	942-22
	ZERK AXLE	1/2" DIAMETER X 2-3/4" LONG	942-12
	PLAIN BRAKE AXLE	1/2" DIAMETER X 3" LONG	982-42
	ZERK BRAKE AXLE	1/2" DIAMETER X 3" LONG	982-52
61-62 SERIES	PLAIN AXLE	1/2" DIAMETER X 2-3/4" LONG	942-22
	ZERK AXLE	1/2" DIAMETER X 2-3/4" LONG	942-12
	PLAIN BRAKE AXLE	1/2" DIAMETER X 3" LONG	982-42
	ZERK BRAKE AXLE	1/2" DIAMETER X 3" LONG	982-52
81-82 SERIES	PLAIN AXLE	1/2" DIAMETER X 3-3/8" LONG	941-22
81SB SERIES	ZERK AXLE	1/2" DIAMETER X 3-3/8" LONG	941-12
W81, W82, W87, W88, PNEUMATIC CASTERS	PLAIN AXLE	1/2" DIAMETER X 4" LONG	980-22
	ZERK AXLE	1/2" DIAMETER X 4" LONG	980-22
S30 - 40 SERIES	ZERK AXLE	3/8" DIAMETER X 2.170 LONG	928-37
	BRAKE ZERK AXLE	3/8" DIAMETER X 2.22 LONG	940-17
S81 - 82 SERIES	ZERK AXLE	1/2" DIAMETER X 3-3/8" LONG	941-17

## Spanner Bushings

Series	Specifications	Part Number
13 - 28 SERIES	3/8" OD X 5/16" ID X 1.300" LONG	4405-01
S30 - S40 SERIES (STAINLESS STEEL)	1/2" OD X 3/8" ID X 1.600" LONG	4425-17
	1/2" OD X 3/8" ID X 1.687" LONG	4428-17
W13-W28 SERIES 30-40 SERIES	1/2" OD X 3/8" ID X 1.600" LONG	4425-17
	1/2" OD X 3/8" ID X 1.575" LONG	4426-12
	1/2" OD X 3/8" ID X 1.600" LONG	4434-01
	1/2" OD X 3/8" ID X 1.610" LONG	4425-02
	1/2" OD X 3/8" ID X 1.687" LONG	4428-01
	9/16" OD X 3/8" ID X 2" LONG	4478-01
130-136 SERIES	5/8" OD X 3/8" ID X 1.687" LONG	4479-01
	1/2" OD X 3/8" ID X 2" LONG	4433-11
	5/8" OD X 3/8" ID X 2.031" LONG	4487-01
61- 62 SERIES	3/4" OD X 3/8" ID X 2" LONG	4465-01
	3/4" OD X 1/2" ID X 2.031" LONG	4441-01
	3/4" OD X 1/2" ID X 2.120" LONG	4423-01
	9/16" OD X 3/8" ID X 2" LONG (3" WHEEL DIAMETER ONLY)	4478-01
S81 - 82 SERIES (STAINLESS STEEL)	3/4" OD X 3/8" ID X 2" LONG	4465-01
	3/4" OD X 1/2" ID X 2.031" LONG	4441-01
	3/4" OD X 1/2" ID X 2.260" LONG	4494-17
	3/4" OD X 1/2" ID X 2.437" LONG	4498-17
81 - 82 SERIES	5/8" OD X 1/2" ID X 2.437" LONG	4448-17
	5/8" OD X 1/2" ID X 2.280" LONG	4467-01
	5/8" OD X 1/2" ID X 2.437" LONG	4431-01
	3/4" OD X 1/2" ID X 2.260" LONG	4460-01
	3/4" OD X 1/2" ID X 2.437" LONG	4458-01

# Thread Guards

Thread guards are designed to protect wheel bearings from thread and other floor debris that can bind wheels thereby creating flat spots. They provide longer caster life and less maintenance of wheels. They are available as an option on many Jarvis models. See thread guard chart below for specific thread guard – wheel availability.



Plastic thread guard

**1140-20**

(shown in photo)

Wheel Model	Wheel Description	Wheel Size: Diameter x Tread Width	Thread Guard Part Number & Inside Diameter	Thread Guard Finish/ Material	
2-1/2-105	Cushion Tread / Solid Rubber	2-1/2" x 1-1/4"	1132-02 (3/8" ID)	Zinc	
3-105		3" x 1-1/4"	1132-02 (3/8" ID)	Zinc	
4-105		4" x 1-1/4"	1132-02 (3/8" ID)	Zinc	
5-452		5" x 1-1/8"	1164-06 (3/8" ID)	Nickel	
5-452		5" x 1-1/8"	1164-BR (3/8" ID)	Brass	
5-152		5" x 1-1/4"	1148-12 (3/8" ID)	Zinc	
6-105		6" x 9/32"	1162-02 (3/8" ID)	Zinc	
6-105		6" x 9/32"	1160-02 (3/8" ID)	Zinc	
3-103	Cushion Tread / Solid Rubber	3" x 15/16"	1121-16 (5/16" ID)	Nickel	
4-103		4" x 15/16"	1121-16 (5/16" ID)	Nickel	
4-452		4" x 1-1/8"	1163-06 (3/8" ID)	Nickel	
5-103		5" x 15/16"	1121-16 (5/16" ID)	Nickel	
5-109		5" x 1-5/8"	1148-02 (7/16" ID)	Zinc	
5-105		5" x 1-1/4"	1135-35 (3/8" ID)	Copper Nickel	
5-105		5" x 1-1/4"	1135-06 (3/8" ID)	Nickel	
5-105		5" x 1-1/4"	1135-02 (3/8" ID)	Zinc	
5-110		Hard Tread / Solid Rubber	5" x 1-5/8"	1148-02 (7/16" ID)	Zinc
3-1/2-513		Polyolefin	3-1/2" x 1-1/4"	1170-02 (3/8" ID)	Zinc
4-513	4" x 1-1/4"		1170-02 (3/8" ID)	Zinc	
5-513	5" x 1-1/4"		1170-02 (3/8" ID)	Zinc	
5-532	5" x 2"		1135-12 (1/2" ID)	Zinc	
3-1/2-13G	PolyLoc / Grey / Round Tread	3-1/2" x 1-1/4"	1143-02 (3/8" ID)	Zinc	
4-213G *		4" x 1-1/4"	1148-12 (3/8" ID)	Zinc	
4-314G		4" x 1-1/4"	1148-12 (3/8" ID)	Zinc	
5-213G *	PolyLoc / Grey / Round Tread	5" x 1-1/4"	1139-20 (3/8" ID)	Spacer Combo /Plastic Grey	
5-213G *		5" x 1-1/4"	1141-50 (5/16" ID)	Spacer Combo /Plastic Red	
5-213G *		5" x 1-1/4"	1140-PC (3/8" ID)	Black Powder Coat	
5-215G	PolyLoc / Grey / Flat Tread	5" x 1-1/2"	1135-06 (3/8" ID)	Nickel	
5-215G		5" x 1-1/2"	1135-02 (3/8" ID)	Zinc	
6-215G		6" x 1-1/2"	1153-17 (1/2" ID)	Stainless Steel	
6-220G		6" x 2"	1153-17 (1/2" ID)	Stainless Steel	
6-215G		6" x 1-1/2"	1153-02 (1/2" ID)	Zinc	
6-220G		6" x 2"	1153-02 (1/2" ID)	Zinc	
6-220G		6" x 2"	1153-00 (1/2" ID)	Plastic	
6-320G		6" x 2"	1153-00 (1/2" ID)	Plastic	
4-213P *		PolyLoc / Blue / Round Tread	4" x 1-1/4"	1148-12 (3/8" ID)	Zinc
5-213P *			5" x 1-1/4"	1139-20 (3/8" ID)	Spacer Combo /Plastic Grey
5-213P *	5" x 1-1/4"		1141-50 (5/16" ID)	Spacer Combo /Plastic Red	
5-213P *	5" x 1-1/4"		1140-PC (3/8" ID)	Black Powder Coat	

(Continues next column)

Wheel Model	Wheel Description	Wheel Size: Diameter x Tread Width	Thread Guard Part Number & Inside Diameter	Thread Guard Finish/ Material	
5-215P	PolyLoc / Blue / Flat Tread	5" x 1-1/2"	1135-06 (3/8" ID)	Nickel	
5-215P		5" x 1-1/2"	1135-02 (3/8" ID)	Zinc	
6-215P		6" x 1-1/2"	1153-17 (1/2" ID)	Stainless Steel	
6-220P		6" x 2"	1153-17 (1/2" ID)	Stainless Steel	
6-215P		6" x 1-1/2"	1153-02 (1/2" ID)	Zinc	
6-220P		6" x 2"	1153-02 (1/2" ID)	Zinc	
6-220P		6" x 2"	1153-00 (1/2" ID)	Black Plastic	
5-213GD *		Advantage / Round Tread	5" x 1-1/4"	1140-20 (3/8" ID)	Plastic / Grey
5-213GD *			5" x 1-1/4"	1140-06 (3/8" ID)	Zinc
5-213GD *			5" x 1-1/4"	1140-06 (3/8" ID)	Nickel
5-314GD	5" x 1-1/4"		1140-20 (3/8" ID)	Plastic / Grey	
6-213GD *	6" x 1-1/4"		1160-02 (3/8" ID)	Zinc	
6-314GD	6" x 1-1/4"		1160-02 (3/8" ID)	Zinc	
6-220GD	Advantage / Flat Tread	6" x 2"	1153-00 (1/2" ID)	Black Plastic	
5-213GF		5" x 1-1/4"	1140-20 (3/8" ID)	Plastic / Grey	
5-213GF		5" x 1-1/4"	1140-06 (3/8" ID)	Nickel	
5-314GF		5" x 1-1/4"	1140-20 (3/8" ID)	Plastic / Grey	
6-220GF		6" x 2"	1153-00 (1/2" ID)	Black Plastic	
6-320GF		6" x 2"	1153-00 (1/2" ID)	Black Plastic	
4-121	Phenolic	4" x 1-1/2"	1148-12 (3/8" ID)	Zinc	
4-221		4" x 1-1/2"	1148-12 (3/8" ID)	Zinc	
5-122		5" x 2"	1135-12 (1/2" ID)	Zinc	
6-222		6" x 2"	1153-17 (1/2" ID)	Stainless Steel	
6-222		6" x 2"	1153-02 (1/2" ID)	Zinc	
6-222		6" x 2"	1153-BL (1/2" ID)	Black Powder Coat	
4-755		Solid Elastomer	4" x 1-3/8"	1148-32 (3/8" ID)	Yellow Chromate
4-760			4" x 2"	1148-22 (1/2" ID)	Zinc
5-770			5" x 2"	1153-E7 (1/2" ID)	Electro Polished
4-120		Cast Iron	4" x 1-1/4"	1135-02 (3/8" ID)	Zinc
5-113	Welded Disc / Rubber Tread	5" x 1-1/4"	1141-19 (3/8" ID)	Black Polane	
5-113		5" x 1-1/4"	1141-15 (3/8" ID)	Grey Polane	
5-113		5" x 1-1/4"	1141-06 (3/8" ID)	Nickel	
6-113		6" x 1-1/4"	1157-19 (3/8" ID)	Black Polane	
6-113		6" x 1-1/4"	1157-15 (3/8" ID)	Grey Polane	

\* All 213 model wheels come standard with plastic thread guards covering the hub area. The thread guard shown in the chart above mount over this small thread guard.

# Bumpers



4714-00  
(Grey)



4714-01  
(Black)



B-3-1/2 R  
(Round Stem)



B-3-1/2 S  
(Square Stem)



## End Bumper B-1

Grey or black end bumper generally used on the ends of tubular handles on carts and platform trucks. Designed to help protect equipment as well as walls and door facings. Bumper Dimensions: 3-1/4" diameter with steel insert for 5/16" mounting bolt.

## Tubing Bumper B-3-1/2

Designed to fit over 1" OD round or square tubing on carts and a variety of rolling equipment. Please specify round or square tubing when ordering. Specify B-3-1/2 R for round ID and B-3-1/2 S for square ID.

## Rolling Bumper B-5

5" diameter rolling bumper; tapered grey rubber bonded to zinc plated insert with removable center bushings to fit stem diameters from 3/8" to 1-1/8". Specify bumper B-5.

4718-00  
(Grey)



4719-00  
(Black)



4720-01  
(Grey)



4721-01  
(Black)



4722-01  
(Grey)



4724-01  
(Black)



## Corner Bumper B-8

Grey or black corner bumper for mounting on the corners of equipment, carts or any flat surfaces. Absorbs shock to protect equipment and walls, doors and furniture. Bumper Dimensions: 7/8" thick x 1" high x 2-5/8" long from inside corner on each side.

## Corner Bumper B-10

A heavy duty bumper with reinforced, rounded corner to protect equipment from shocks and bumps. Steel inserts inside bumper assures permanent mounting to equipment. Ends are tapered and rounded for added design appeal. Bumper Dimensions: 1" thick x 1-1/16" high x 3-1/16" long from inside corner on each side. Mounting holes are 13/64" diameter.

## Corner Bumper B-12

A common bumper used to protect a wide variety of mobile equipment and the surrounding environment from bumps and scrapes. This bumper is equipped with steel inserts and can be mounted on any flat surface. The ends of the bumper legs may be cut at notched area to make square ends. Bumper features steel inserts. Bumper Dimensions: 7/8" thick x 1" high x 3-1/8" long from inside corner on each side. **Grey bumper with no steel insert, order model number 4724-30.**

# Tubing Adapters

Plastic adapters accepts 7/16" diameter spring ring stem. Metal adapter accepts 7/16" diameter straight stem.



Tubing OD (Inches)	Plastic Round	Plastic Square	Metal
3/4-16 ga.	1085	1086	-
7/8-16 ga.	1087	1088	-
1-16 ga.	1089	1090	1070
1-18 ga.	1084	1091	1071
1-1/2-18 ga.	-	1082	-

## Rubber Expanding Adapters

for Series 27, W27, 40, S40 and 60MG casters

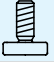
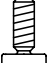

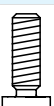

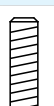




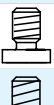

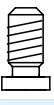

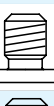


Adapter Number	ID of Round or Square Tube (Inches)	Tube Size Range (Inches)	Adapter Kit Parts			
			Rubber Bushing	Top Knurled Nut	Plastic Bushing	Base Washer
9	3/4	0.720-0.851	1644-00	1421-02	1429-02	1709-02
11*	7/8	0.852-0.927	1645-00	1435-02	1432-02	1709-02
13	1	0.928-1.029	1646-00	1435-02	1432-02	1709-02
15	1-1/8	1.030-1.140	1647-00	1436-02	1431-02	1709-02
17B	1-3/16	1.178-1.303	1651-00	1441-02	1430-02	1709-02
19C*	1-3/8	1.360-1.425	1648-00	1438-02	1433-02	1709-02
19A	1-1/2	1.426-1.589	1649-00	1437-02	1434-02	1709-02
21	1-7/8	1.790-1.850	1650-00	1422-02	1440-02	1473-02

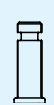

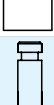



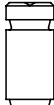


\*Stainless Steel knurled nut and base washer.

# Stem Dimensions

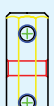
## Threaded Stems

Drawing	Caster Series	Stem Size
	L4 (Stem 1)	5/16" dia. – 18 x 3/4" long
	L4 (Stem 2)	3/8" dia. – 16 x 1" long
	L4 (Stem 3) 13 (Stem 1) W13 (Stem 1)	3/8" dia. – 16 x 1-1/2" long
	Bus. Mach. Single Wheel 13 (Stem 4) W13 (Stem 4)	1/2" – 13 x 1-1/2" long
	13 (Stem 2) W13 (Stem 2)	7/16 dia. – 14 x 1-1/2" long
	13 (Stem 5) W13 (Stem 5)	1/2" dia. – 13 x 2-3/4" long
	36 (Stem 1) 56MG (Stem 1) 56HN (Stem 1) 136 (Stem 1)	1/2" dia. – 13 x 3/4" long
	13 (Stem 3) W13 (Stem 3) 36 (Stem 2) 56 (Stem 1)	1/2" dia. – 13 x 1" long
	36 (Stem 3) 56 (Stem 3) 56MG (Stem 3) 56HN (Stem 3) 136 (Stem 2) S36 (Stem 3)	1/2" dia. – 13 x 1-1/2" long
	36 (Stem 4) 56MG (Stem 4) 136 (Stem 4)	1/2" dia. – 20 x 3/4" long
	36 (Stem 5) 56MG (Stem 5) 56HN (Stem 5) 136 (Stem 5)	1/2" dia. – 20 x 2-1/4" long
	36 (Stem 6) 56MG (Stem 6) 56HN (Stem 6) 136 (Stem 6)	5/8" dia. – 11 x 1-1/4" long
	36 (Stem 7) 56MG (Stem 7) 56HN (Stem 7) 136 (Stem 7)	5/8" dia. – 18 x 1-3/4" long
	36 (Stem 8) 56MG (Stem 8) 56HN (Stem 8) 136 (Stem 8)	3/4" dia. – 10 x 1" long
	56 (Stem 3)	3/4" dia. – 10 x 1-3/4" long


## Spring Ring Stems

Drawing	Caster Series	Stem Size
	L3 Bus. Mach. Dual / Single Wheel 14 (Stem 1) W14 (Stem 1)	7/16" dia. x 1-3/8" long
	Business Machine Single Wide Wheel	7/8" dia. x 2-3/16"
	14 (Stem 2) W14 (Stem 2)	7/16" dia. x 1-15/16" long
	34 (Stem 1) 134 (Stem 1)	3/4" dia. x 2-3/16" long
	34 (Stem 2) 134 (Stem 2)	13/16" dia. x 2-3/16" long
	34 (Stem 3) 54MG (Stem 1) 54HN (Stem 1) 134 (Stem 3)	.845" dia. x 2-3/16" long
	34 (Stem 4) 54MG (Stem 2) 54HN (Stem 2) 134 (Stem 4) S34 (Stem 4)	.865" dia. x 2-3/16" long
	34 (Stem 5) 134 (Stem 5)	1" dia. x 2-3/16" long
	34 134 (Stem 6) 54 MG (Stem 3) 54 HN (Stem 3)	.860" Square x 2-3/16" long


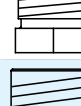
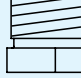
## Octagon Stem

	19 W19 32	3/4" dia. by 2" long
---	-----------------	----------------------

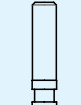
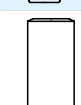
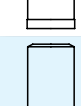
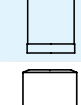
## Ladder Stem

	L5	5/16" dia. – 18 x 4-3/4" long with 5/8" thread length at top of stem; bottom stem flange is 9/16" dia. x 1-13/16" long
---	----	--

## Pipe Thread Stem

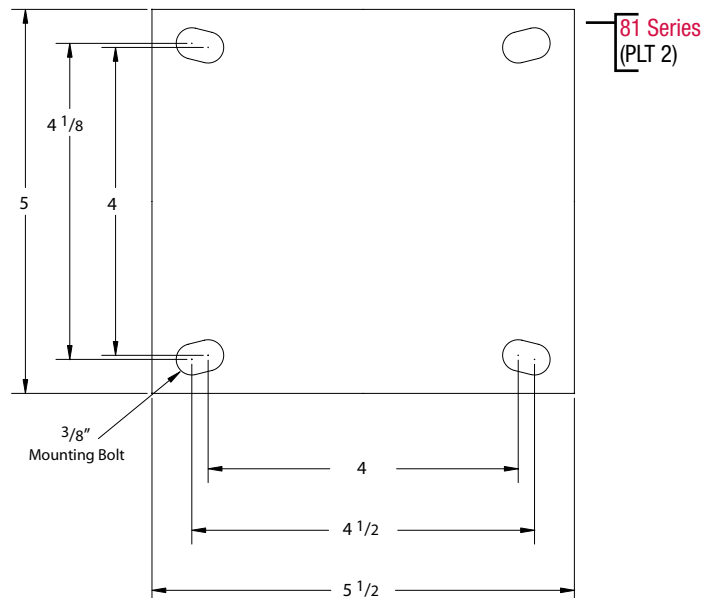
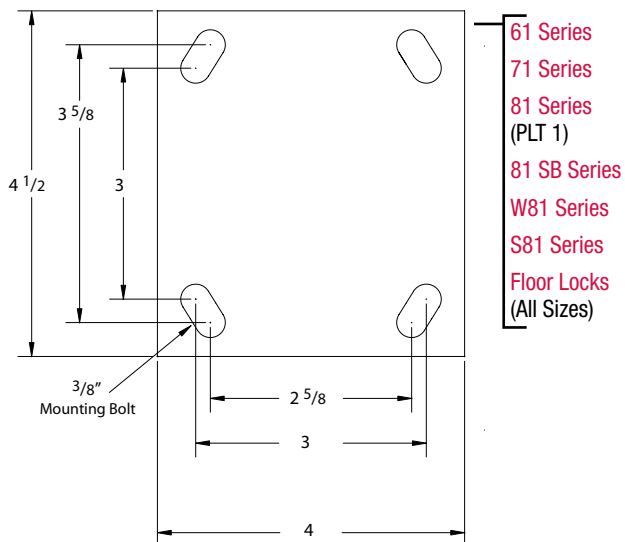
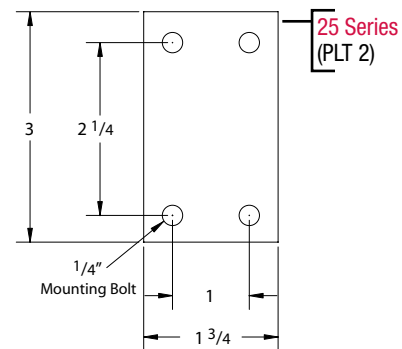
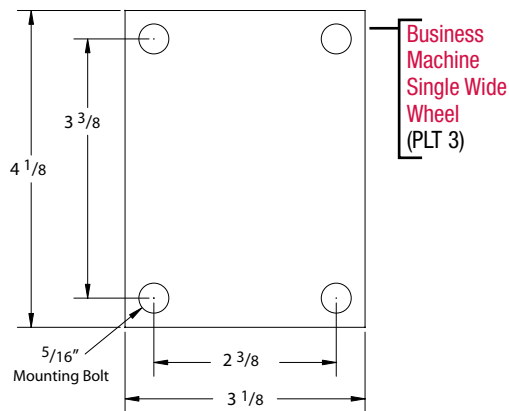
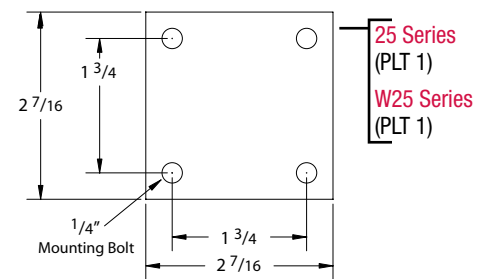
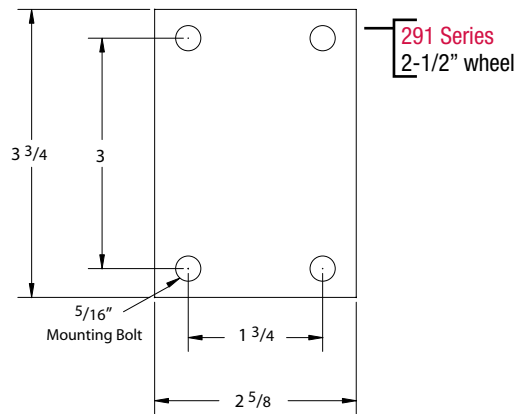
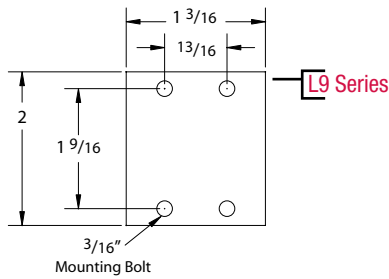
	17 (Stem 2) 38 (Stem 2)	3/4" Pipe Thread (1" actual stem dia.)
	38 (Stem 3)	1" Pipe Thread (1-1/4" actual stem dia.)
	38 (Stem 4)	1-1/4" dia. (1-1/2" actual stem dia.)

## Round Stem

	L2	For metal sockets 7/16" dia. x 1-29/32" long
	54MG (Stem 1)	.845" dia. round x 2-3/16"
	54MG (Stem 2)	.865" dia. round x 2-3/16"
	54 (Stem 3)	1" dia. round x 2-3/16"

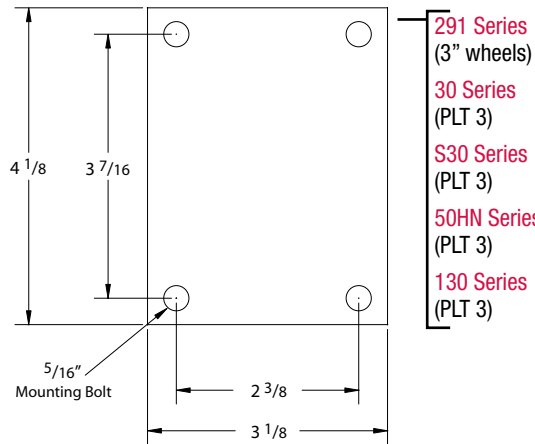
# Top Plate Dimensions

Drawings are 40% scale reduction.

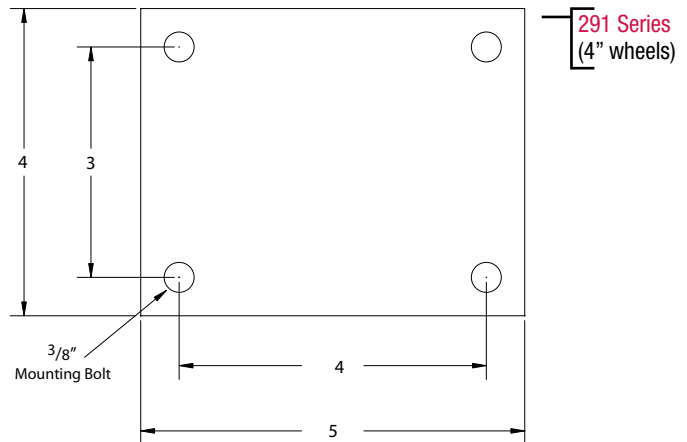


# Top Plate Dimensions

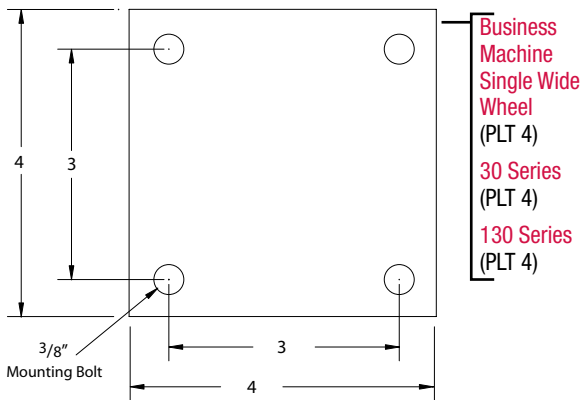
Drawings are 40% scale reduction.



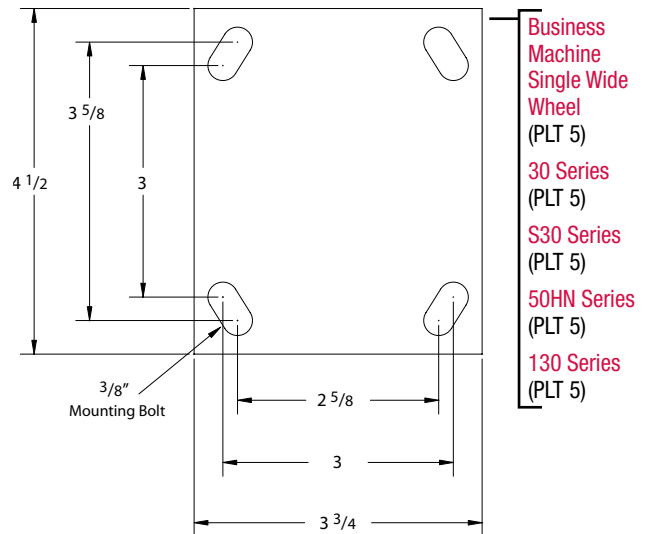
- 291 Series (3" wheels)
- 30 Series (PLT 3)
- S30 Series (PLT 3)
- 50HN Series (PLT 3)
- 130 Series (PLT 3)



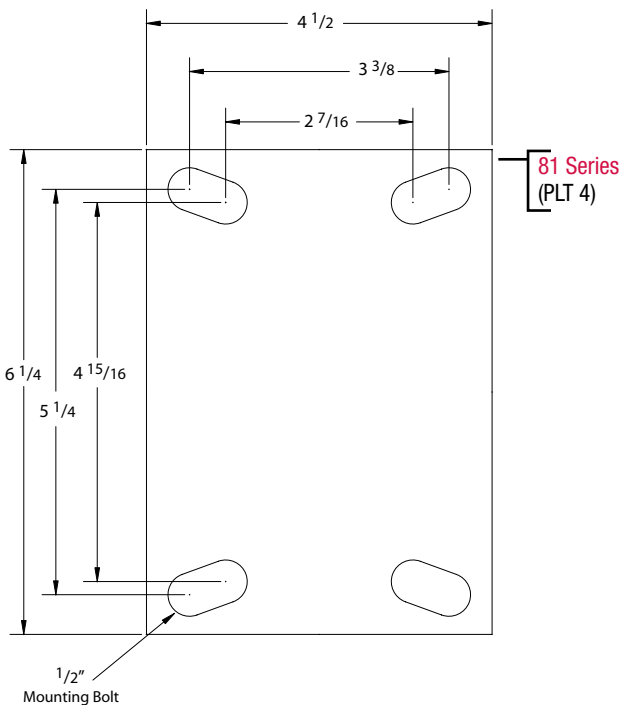
- 291 Series (4" wheels)



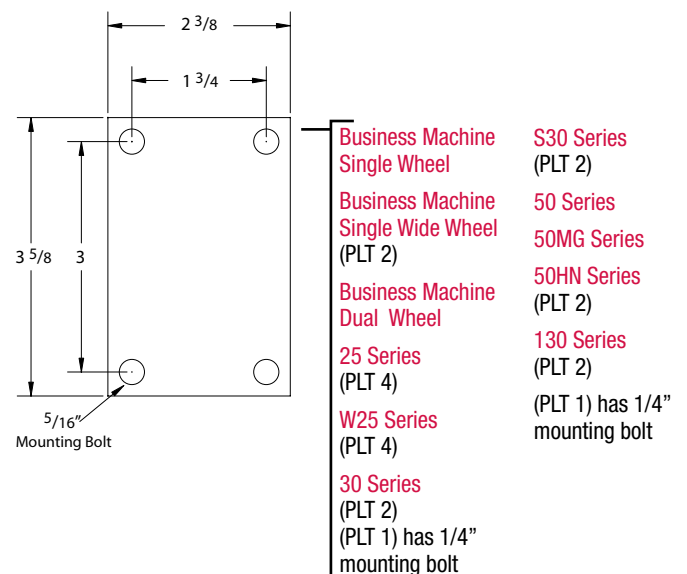
- Business Machine Single Wide Wheel (PLT 4)
- 30 Series (PLT 4)
- 130 Series (PLT 4)



- Business Machine Single Wide Wheel (PLT 5)
- 30 Series (PLT 5)
- S30 Series (PLT 5)
- 50HN Series (PLT 5)
- 130 Series (PLT 5)



- 81 Series (PLT 4)



- Business Machine Single Wheel
- Business Machine Single Wide Wheel (PLT 2)
- Business Machine Dual Wheel
- 25 Series (PLT 4)
- W25 Series (PLT 4)
- 30 Series (PLT 2)
- S30 Series (PLT 2)
- 50 Series
- 50MG Series
- 50HN Series (PLT 2)
- 130 Series (PLT 2)
- (PLT 1) has  $1 \frac{1}{4}$ " mounting bolt

# Top Plate Dimensions

Drawings are 40% scale reduction.

